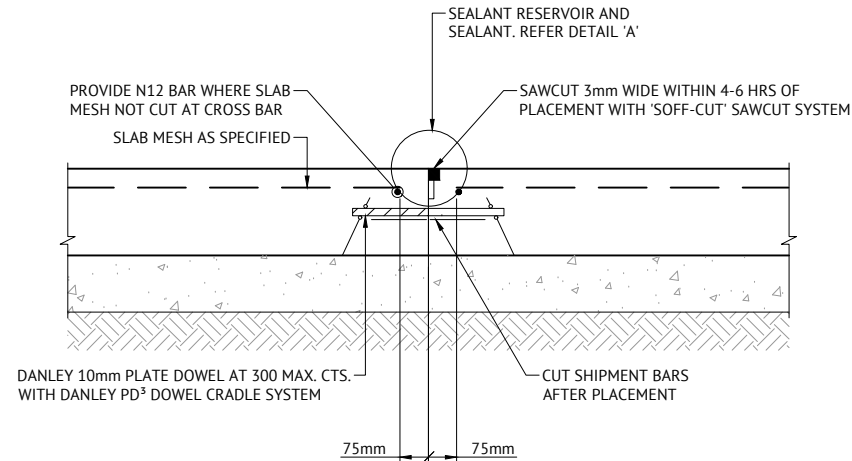
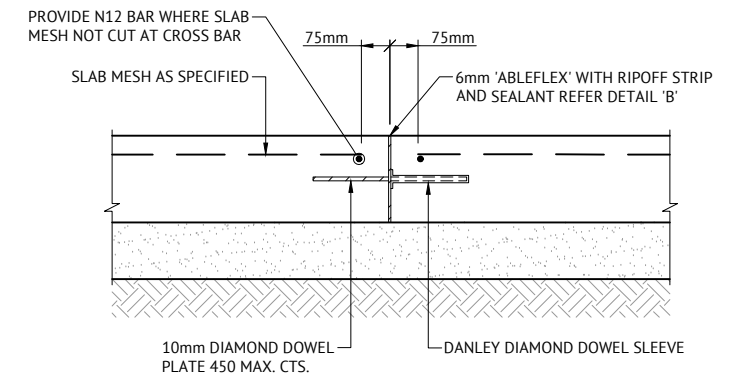


JOINTS TO BE PROVIDED AS SHOWN ON PAVEMENT DRAWING No. 136650

PAVEMENT DETAIL
SCALE 1:10

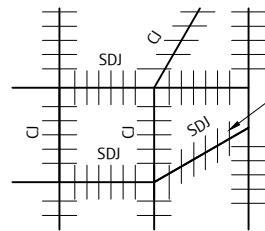


SAWN DOWEL JOINT (SDJ)
SCALE 1:10



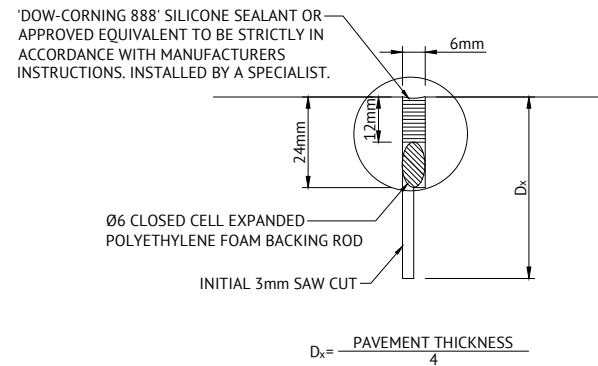
NOTE: CONTRACTOR MAY PROVIDE CONSTRUCTION JOINT IN LIEU OF SAWN DOWEL JOINT AS TRANSVERSE STOP POUR JOINT WHERE REQUIRED

CONSTRUCTION JOINT (CJ)
SCALE 1:10

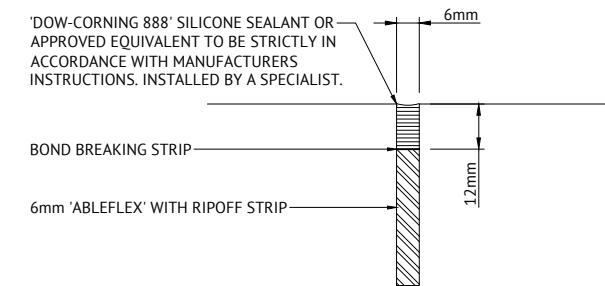


WHERE SAWN DOWEL JOINT LINES ARE SKEW TO THE MAIN JOINTING LAYOUT, ENSURE THAT THE DOWELS ARE ALIGNED PARALLEL TO THE MAIN JOINTING LAYOUT.

DOWEL BAR ORIENTATIONS
N.T.S



DETAIL 'A'
N.T.S



DETAIL 'B'
N.T.S

- NOTES:**
- REFER DRAWING No. 136649 FOR STRUCTURAL NOTES
 - REFER DRAWING No. 136650 FOR STANDARD CROSSING LAYOUTS
 - CONTRACTOR TO PROVIDE KERB TAPER TREATMENTS ON ALL STANDARD CROSSINGS. THE 600mm KERB TAPER TREATMENTS ARE TO BE ADDED TO THE EXTENT OF CROSSOVERS SHOWN ON DRAWING No. 136650.

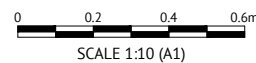
HEAVY VEHICLE PAVEMENT DESIGN BASIS:

THE DESIGN OF SITE CONCRETE PAVEMENTS HAS BEEN UNDERTAKEN ON THE FOLLOWING BASIS:

DESIGN AXLE LOAD	6t SINGLE AXLE 17t DUAL AXLE 22.5t TRIPLE AXLE
AXLE SPACING	1.2m (BETWEEN WHEELS)
DESIGN LIFE	40 YEARS
NUMBER OF REPETITIONS	UNLIMITED (WITHIN TRAFFIC LANE)
- APPLIED TO TYPICAL INTERIOR OF PAVEMENT:	
- APPLIED TO 600mm WIDE SHOULDERS EACH SIDE OF CROSSOVER:	10,000
SUBGRADE TREATMENT	150mm REPLACEMENT WITH CBR45 GRANULAR MATERIAL
SUBGRADE STRENGTH	CBR3 (BASED ON CBR15 FOR 2m AND CBR2 FOR 2m BELOW SURFACE)

FOR CONSTRUCTION

D	FOR CONSTRUCTION	DS	BL	23.09.19
C	APPROVAL ISSUE	DS	BL	19.09.19
B	FINAL PRELIMINARY ISSUE	DS	BL	16.05.19
A	PRELIMINARY ISSUE	DS	BL	26.04.19
REV.	AMENDMENTS	INIT.	APP.	DATE



BRISBANE OFFICE
LEVEL 1, 100 BRUNSWICK STREET
PO BOX 361
FORTITUDE VALLEY, QLD 4006
PH: (07) 3253 2222 WEB: www.premise.com.au

HORIZ DATUM	FIG	VERT DATUM	PORT
Based on		Based on	
PREPARED by D. SADEK		Date: 23.09.19	
CHECKED by K. KOLARSKI		Date: 23.09.19	
APPROVED by B. LANCIANI		Date: 23.09.19	

PROJECT: STANDARD VEHICLE CROSSING DETAIL
LOCATION: PORT OF BRISBANE
SHEET TITLE: JOINTING
RPEQ No: 16031
© PORT OF BRISBANE PTY. LTD. 2016



PORT OF BRISBANE PTY. LTD.
NEW PORT OFFICE
PORT CENTRAL AVENUE
PORT OF BRISBANE
QUEENSLAND 4178
Phone: 07 32984888
Fax: 07 32984704
Email: portbris@portbris.com.au
Dwg. No. 136651
Rev. D