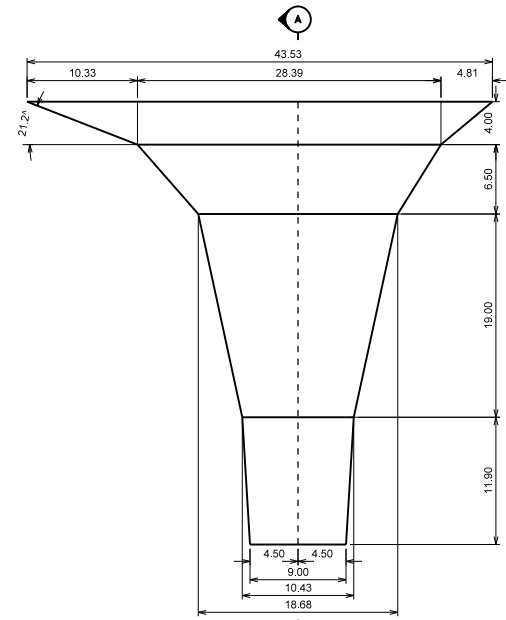
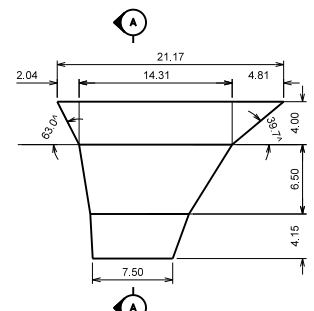


**NOTES:**

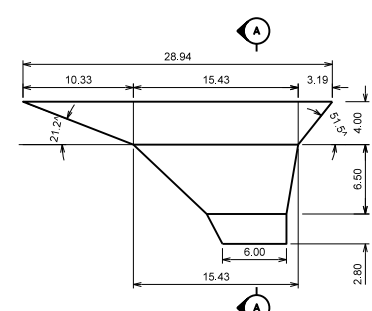
- REFER DRAWING 112405 FOR NOTES, PAVEMENT DETAIL AND JOINTING DETAILS
- KERB TAPER TREATMENTS ARE TO BE USED ON ALL STANDARD CROSSINGS. THE 600mm KERB TAPER TREATMENTS ARE TO BE ADDED TO THE EXTENT OF CROSSOVERS SHOWN ON LAYOUT DETAILS.



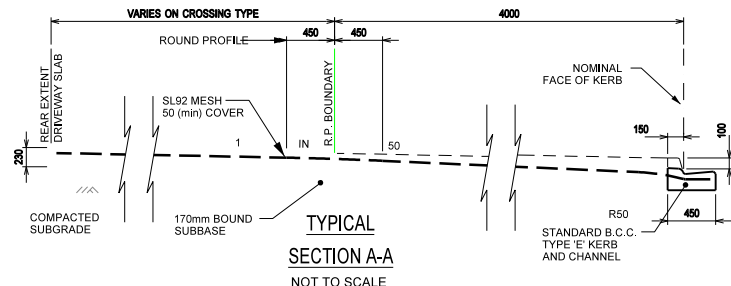
LAYOUT DETAIL  
STANDARD CROSSING FOR  
TWO-WAY TRAFFIC  
1:200 @ A1



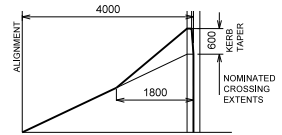
LAYOUT DETAIL  
STANDARD CROSSING FOR  
ENTRY ONLY TRAFFIC  
1:200 @ A1



LAYOUT DETAIL  
STANDARD CROSSING FOR  
EXIT ONLY TRAFFIC  
1:200 @ A1



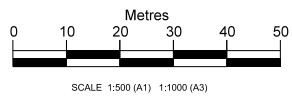
TYPICAL  
SECTION A-A  
NOT TO SCALE



KERB TAPER TREATMENT  
1:50 @ A1

**STATUS**

| REV. | AMENDMENTS | INIT. | APP. | DATE |
|------|------------|-------|------|------|
|      |            |       |      |      |



PLACE COMPANY LOGO HERE

PLACE COMPANY CONTACT DETAILS HERE

POB APPROVED by: Date:

|             |            |
|-------------|------------|
| HORIZ DATUM | VERT DATUM |
| Based on    | Based on   |
| PREPARED by | Date:      |
| CHECKED by  | Date:      |
| APPROVED by | Date:      |

**STANDARD VEHICLE CROSSING**  
RBS LEVEL 3 STANDARD VEHICLE  
TURNING PATHS AND CROSSOVERS

PORT OF BRISBANE PTY LTD  
PORT OFFICE  
PORT CENTRAL AVENUE  
PORT OF BRISBANE  
QUEENSLAND 4173  
Phone: 07 32684568  
Fax: 07 32584754  
Email: portbfs@portofbrisbane.com.au

PORT OF BRISBANE  
Here for the future

Dwg. No. 136230  
Rev. -